

TUNG-SOL

CATHODE RAY

COATED UNIPOTENTIAL CATHODE

HEATER

6.3 VOLTS 0.6 AMP.

AC OR DC

ANY MOUNTING POSITION

METAL-CONE ENVELOPE

SMALL SHELL DUODECAL 5 PIN BASE

THE 16GP4B IS A METAL-CONE MAGNETIC DEFLECTION AND MAGNETIC FOCUS DIRECT VIEW PICTURE TUBE INTENDED FOR USE IN TELEVISION RECEIVERS. THE ELECTRON GUN IS DESIGNED TO BE USED WITH AN EXTERNAL ION-TRAP MAGNET FOR THE ELIMINATION OF ION-SPOT BLEMISH. THE FACEPLATE IS SURFACE TREATED TO MINIMIZE SPECULAR REFLECTION.

DESCRIPTION

FLUORESCENCE AND PHOSPHORESCENCE	WHITE
PERSISTENCE	MEDIUM
DEFLECTING AND FOCUSING METHOD	MAGNETIC
DEFLECTION ANGLE (APPROX.):	70 DEGREES
FACEPLATE LIGHT TRANSMISSION (NEUTRAL DENSITY FILTER)	66 PERCENT
ION-TRAP	MAGNETIC
BULB CONTACT	METAL-CONE LIP
RASTER SIZE	10" X 13 1/4"

DIRECT INTERELECTRODE CAPACITANCES — APPROX.

GRID #1 TO ALL OTHER ELECTRODES	6	μf
CATHODE TO ALL OTHER ELECTRODES	5	μf

RATINGS

INTERPRETED ACCORDING TO RMA STANDARD M8-210

HEATER VOLTAGE	6.3	VOLTS
HEATER CURRENT	0.6	AMP.
MAXIMUM ANODE VOLTAGE	14 000	VOLTS
MAXIMUM GRID #2 VOLTAGE	410	VOLTS
MAXIMUM GRID #1 VOLTAGE:		
NEGATIVE BIAS VOLTAGE	125	VOLTS
POSITIVE BIAS VOLTAGE	0	VOLTS
POSITIVE PEAK VOLTAGE	2	VOLTS
PEAK HEATER-CATHODE VOLTAGE:		
HEATER NEGATIVE WITH RESPECT TO CATHODE:		
DURING EQUIPMENT WARM-UP PERIOD	410	VOLTS
NOT EXCEEDING 45 SECONDS		
AFTER EQUIPMENT WARM-UP PERIOD	150	VOLTS
HEATER POSITIVE WITH RESPECT TO CATHODE	150	VOLTS
MAXIMUM GRID #1 CIRCUIT RESISTANCE	1.5	MEG OHMS

CONTINUED ON FOLLOWING PAGE

PRINTED IN U. S. A.

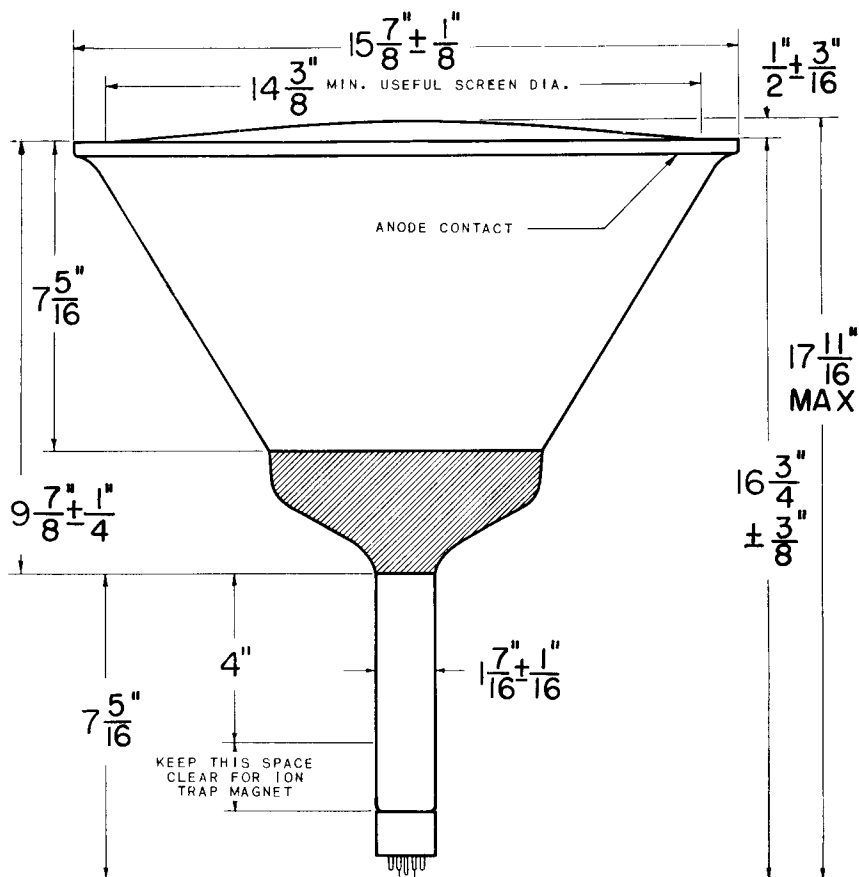
PLATE
2557JAN. 1
1951

TUNG-SOL

CONTINUED FROM PRECEDING PAGE

TYPICAL OPERATING CONDITIONS AND CHARACTERISTICS

ANODE VOLTAGE	12 000	VOLTS
GRID #2 VOLTAGE	300	VOLTS
GRID #1 VOLTAGE (VISUAL EXTINCTION OF UNDEFLECTED FOCUSED SPOT)	-33 TO -77	VOLTS
FOCUSING COIL CURRENT (APPROX.)	100	MA.
ION-TRAP MAGNET SINGLE FIELD INTENSITY	35	GAUSSSES



1. HEATER
 2. GRID NO. 1
 10. GRID NO. 2
 11. CATHODE
 12. HEATER
- METAL-CONE LIP: ANODE, GRID NO. 3

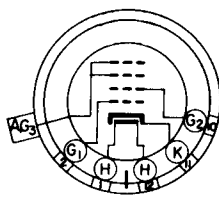


PLATE
2558
JAN. 1
1951